

Impulse relay

Impulse relay

The actuators of the AN and HAK series can optionally be equipped with an impulse relay. The impulse relay is built into the actuator.

There are three execution possibilities:

Continuous use, oscillating:
SP 1009.02

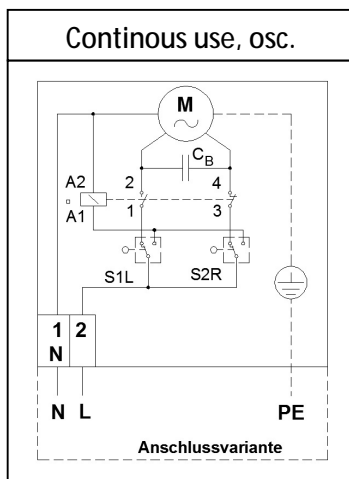
Continuous turning with automatic direction switching
when reaching the limit switches S1L and S2R.

Impulse use, oscillating:
SP 1009.03

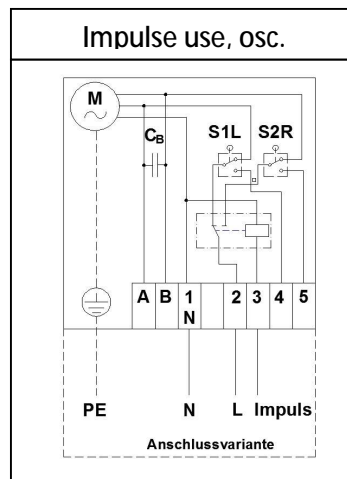
The actuators turns until reaching the limit
switch (e.g. S1L) and stops. The turning direction
changes by impulse and the actuator turns back.

Impulse use, one direction:
SP 1009.04

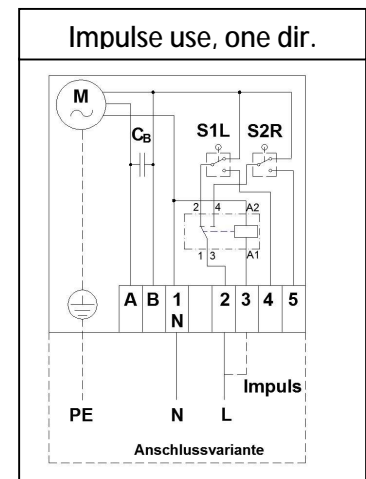
The actuators turns until reaching the limit
switch (e.g. S1L) and stops. The turning direction



Circuit diagram SP 1009.02



Circuit diagram SP 1009.03



Circuit diagram SP 1009.04